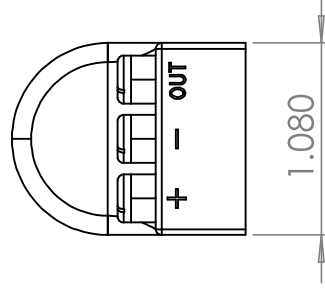
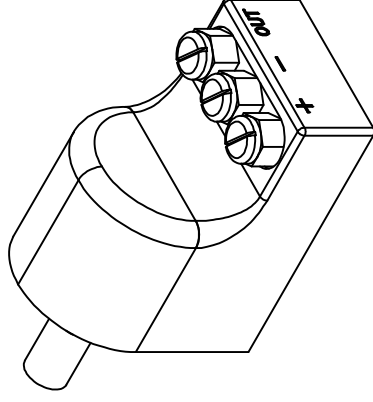
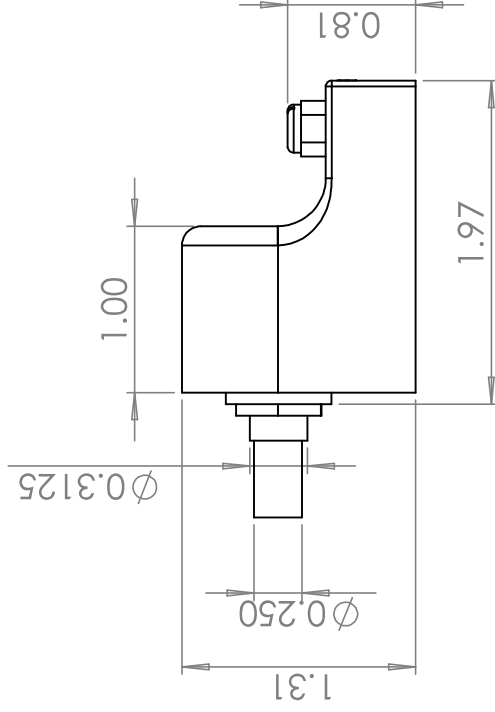
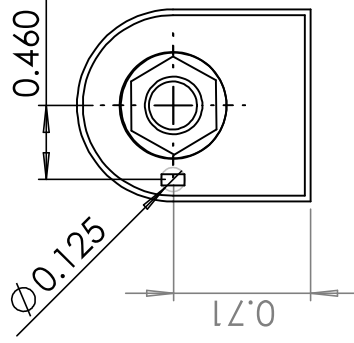


Panel cutout hole should be .3125D.

.125D panel through hole for lock pin is typical.



Superior Panel Technology PWM Dimmer

Phone (562) 776-9494
www.sptpanel.com